



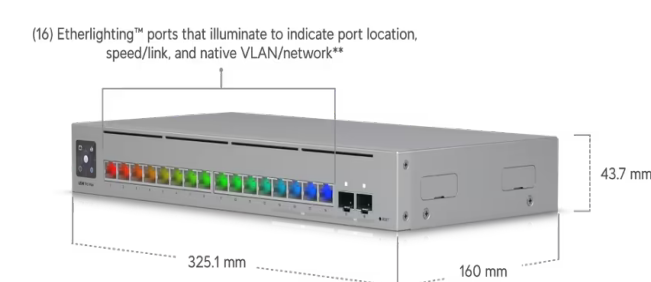
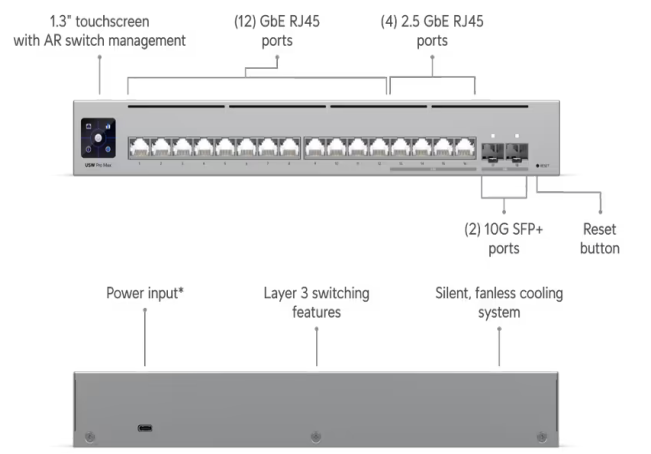
Professional Max > Pro Max 16



Pro Max 16

USW-Pro-Max-16

- Datasheet
- In The Box
- Marketing Images
- Installation Guide



Mechanical

Dimensions	325.1 x 160 x 43.7 mm (12.8 x 6.3 x 1.7")
Weight	1.95 kg (4.3 lb)
Enclosure material	SGCC steel

Hardware

Management interface	Ethernet In-Band
Networking interface	(12) GbE RJ45 ports (4) 1/2.5 GbE RJ45 ports (2) 10G SFP+ ports
Total non-blocking throughput	42 Gbps
Switching capacity	84 Gbps
Forwarding rate	62,496 Mpps
Power method	Type-C adapter
Power supply	5V, 25W
Max. power consumption	25W
LCM display	(1) 1.3" touchscreen
Button	Factory reset
Ambient operating temperature	-5 to 40° C (23 to 104° F)
Ambient operating humidity	10 to 90% noncondensing
Certifications	CE, FCC, IC

Switching Features

Layer 2 features	IGMP snooping STP / RSTP with priorities and port-level disable Port isolation Storm control Voice VLAN Port mirroring LACP port aggregation Multicast / broadcast rate limiting MAC address blocking Flow control 802.1X control Jumbo frames Proprietary loop protection DHCP snooping / guarding Egress rate limit LLDP-MED Port restricted by MAC Device isolation with ACLs
Layer 3 features	DHCP for locally-managed networks DHCP relay Inter-VLAN routing between networks on same switch Static routing between local networks Network isolation with ACLs

Etherlighting™

Ethernet	Locating Speed/link Native VLAN/network
SFP+	Locating Speed/link Native VLAN/network

Application Requirements

UniFi Network	Version 8.1.127 and later
---------------	---------------------------

Company

- Careers
- Contact Us
- Investors
- Compliance

Training

- Courses
- Calendar
- Trainers
- Become a Trainer

Buy Now

- Ubiquiti Store
- Find a Distributor
- Become a Distributor

Tools

- WiFiman
- UISP
- UniFi Design Center
- UISP Design Center
- Downloads

Stay in Touch

Email

